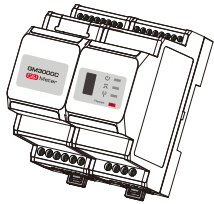


GM3000C Electric Meter

Quick Installation Instructions



Rev1.1
2020-11-30



340-00434-01

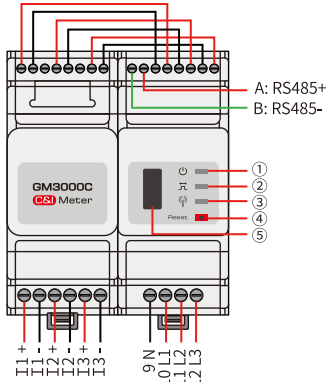
01 Items Supplied

- 1 x GM3000C Meter
- 1 x Screwdriver
- 1 x Quick Installation Instructions
- 18 x Wiring Terminals

02 Technical Data

Model	GM3000C
Reference voltage	230 Vac
Reference frequency	50/60 Hz
Input current	1 A (5 A)
Overall power consumption	<3 W
Electrical measurements	Current, Voltage, Active Power, Reactive Power, Power Factor, Frequency
Energy metering	Active Energy, Reactive Energy
Voltage/Current accuracy class	Class 1
Active energy accuracy class	Class 1
Reactive energy accuracy class	Class 2
Communication method	RS485 (9600 bps)
Interface	LED Indicator, USB Interface, Reset Button
Operating temperature	-25 - +60°C
Storage temperature	-30 - +70°C
Humidity	<95%, Non-condensing
Altitude	<2000 m
Degree of protection	IP20

03 Product Overview

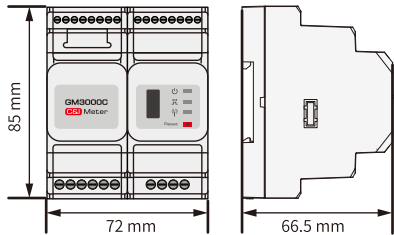


NO.	Component	Description
1	Power LED	Normal status: ON
2	Energy consumption LED	Consuming: ON Generating: Blinking
3	Communication LED	Blink once detecting data transferring Blink 5 times as Reset succeeds
4	Reset button	Press less than 3 s: Meter Reset Press 5s more or less: Meter Settings Initialization
	USB port	Press more than 10 s: Meter Initialize settings and Clear Energy Data
5		For after-sales maintenance.

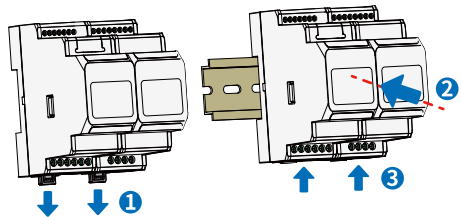
04 Equipment Installation

- NOTE**
- The meter is installed on a rail, and should not be installed outdoors.
 - When operating the meter, use insulation tools and wear personal protective equipment to ensure personal safety.

Dimensions

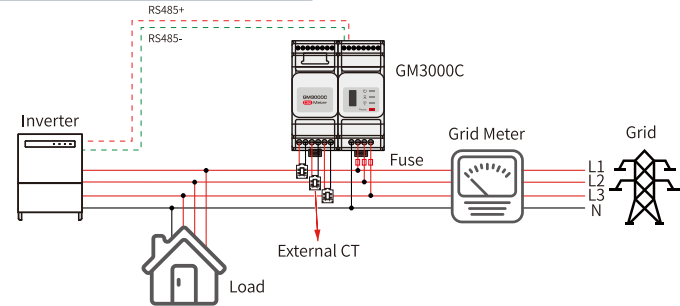


Installation

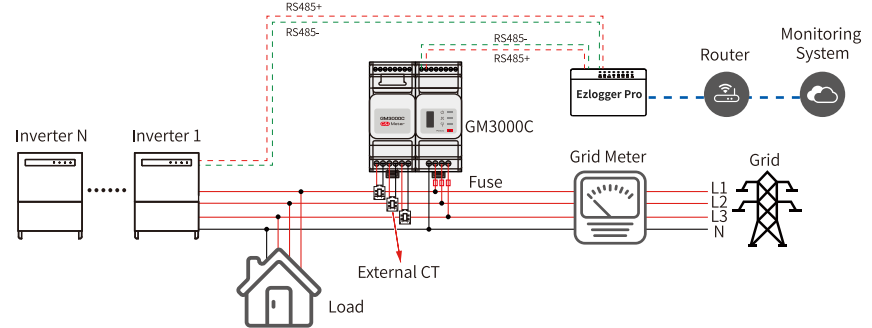


05 Cable Connections

System comprised of a single three-phase unit

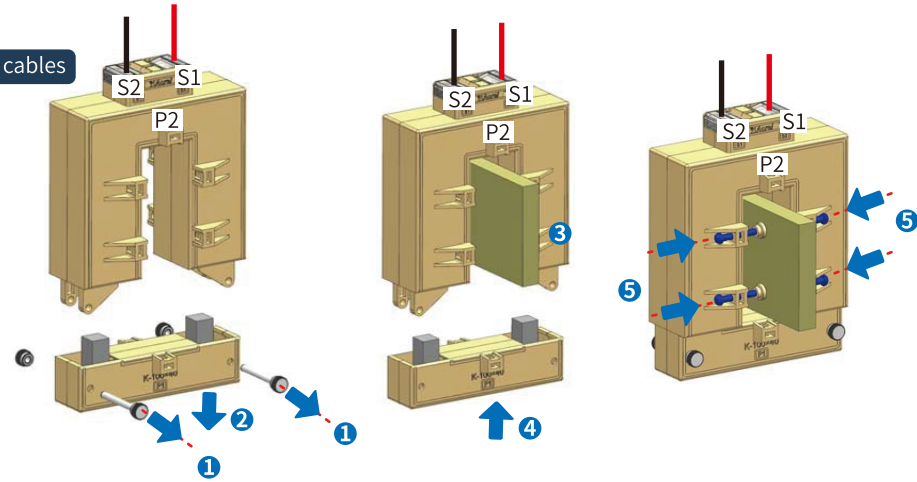


System comprised of multiple three-phase units



- NOTE**
- Requirements for the external CT specifications:
 - Choose nA/5A for the current transformation ratio of the external CT. (n: CT primary input current value between 200 - 5000, which is chosen by the user according to the actual conditions. 5A: CT secondary output current.)
 - Sampling error for the CT current $\leq 1\%$ (0.5, 0.5s, 0.2, 0.2s is recommended).
 - CT bore size must be greater than the outer diameter of AC power line to make sure the AC power line can be inserted through CT.
 - It is recommended to choose the CT with 16AWG cable.
 - See the instructions provided by the respective manufacturer for specific CT wirings to ensure that the direction of the connections is correct and that they are functioning properly.
 - An incorrect inlet or direction from the external CT to the meter cable can cause damage to the device or incorrect acquisition of data.
 - Do not tamper with the cables that are pre-installed with the meter.
 - The direction of the external CT is from P1 end to P2 end, and the corresponding AC power line direction is from inverter side to grid side.
 - It is recommended to add an overcurrent protection device (rated current 0.5A) to the voltage input terminal (L1/L2/L3) of the meter.

Connect CT cables



Set the CT parameters using the SolarGo APP (system comprised of a single three-phase unit, with the Export function enabled)

When the GM3000C is used with the Inverter such as BTC series or ETC series etc., please refer to the corresponding user manual for CT-related parameter settings.

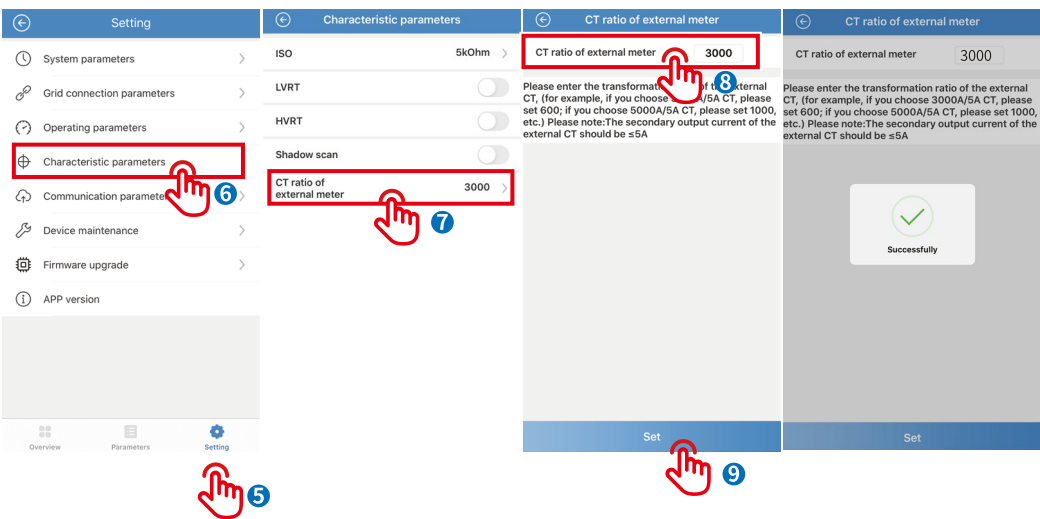
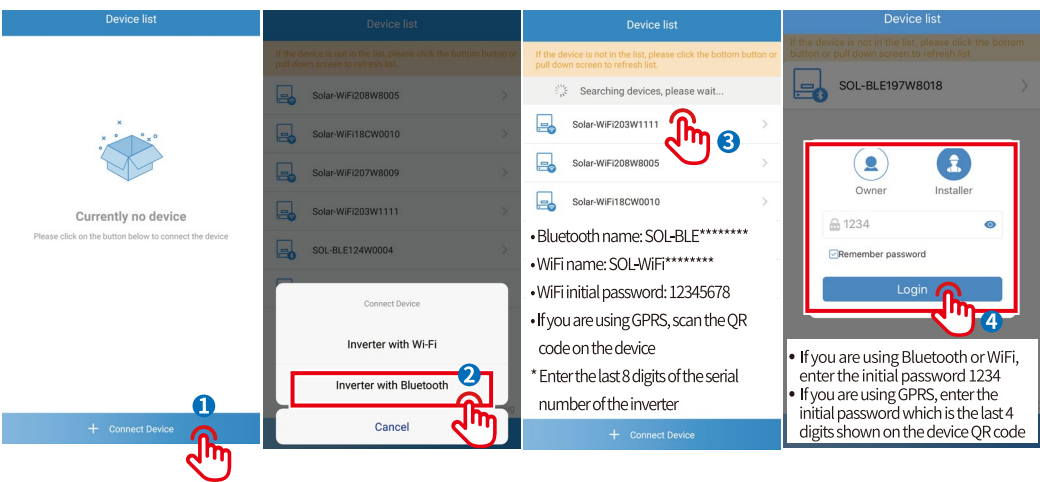
NOTE

Before setting the parameters, make sure that:

1. The inverter is powered up on the DC side.
2. The SolarGo APP has been downloaded from Google Play or App Store.
3. Communication is functioning properly between SolarGo APP and inverter.
4. Please use the initial password when logging in for the first time, and change it as soon as possible to one that is memorable for you. To keep your account secure, it is recommended to change your password regularly.



SolarGo APP

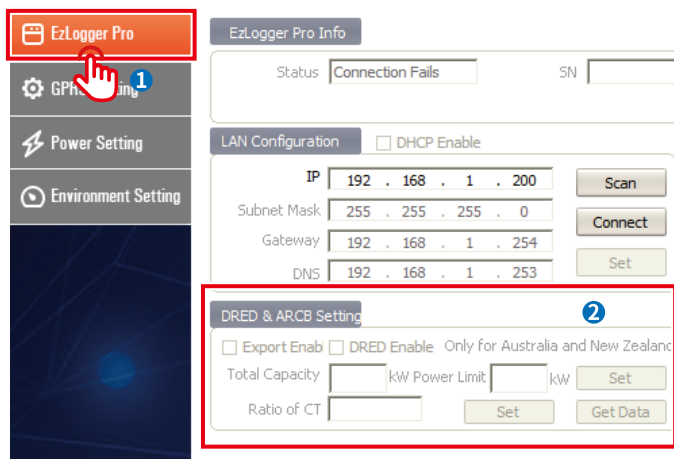


NOTE

Before setting the parameters, make sure that:

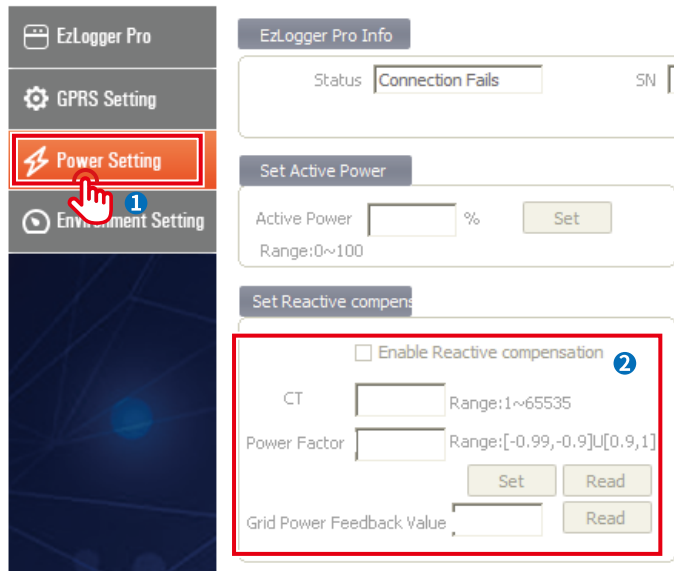
1. Both EzLoggerPro and GM3000C is powered up.
2. GM3000C is correctly connected to COM4 of EzloggerPro via RS485.
3. The Ezlogger Pro Promate software has been downloaded from GOODWE's official website and installed on the computer.
4. ProMate is connected to EzLogger Pro successfully. For detailed procedures, refer to the EzLogger Pro Series User Manual.

Descriptions of the Export Function



- Total Capacity: Set according to the total capacity of the PV station.
- Power Limit: Set according to the target power that needs to be fed into the grid.
- Ratio of CT: Set according to the CT transformation ratio.

Descriptions of the Reactive Compensation Function



- CT: Set according to the external CT ratio.
- Power Factor: Set the target power factor as required.
- Grid Power Feedback Value: Check the maximum power factor allowed for the system.